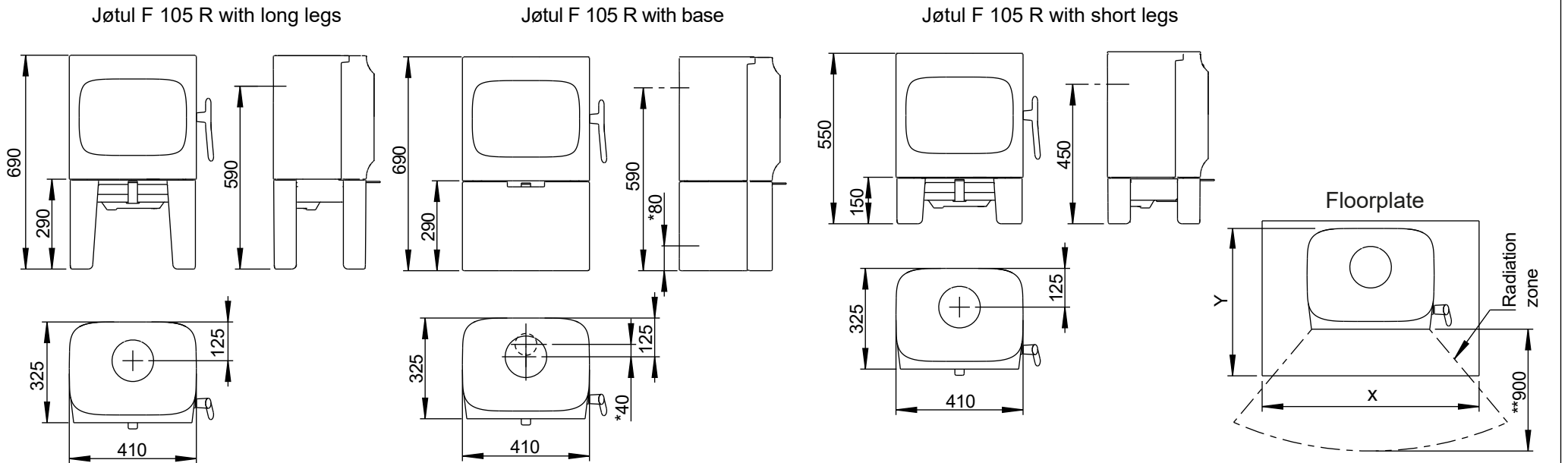
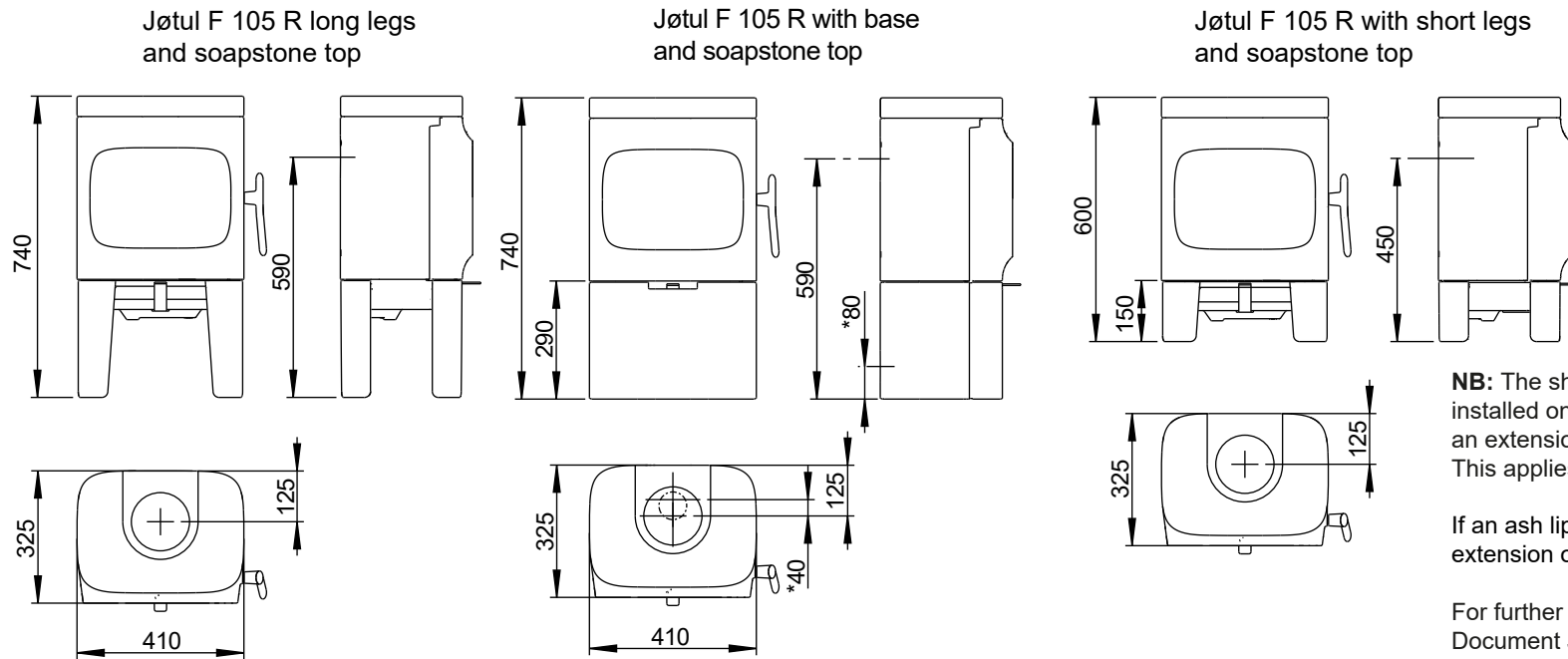


Fig. 1 a

Jøtul F 105 R



Min. measurements floorplate  
 X / Y= According to national laws and regulations  
 \*\* Min. distance to furniture / combustible material



**NB:** The short legged version (F 105 R SL) can only be installed on a hearth which must have an extension of minimum 500 mm in front of the stove. This applies also if the product rests on a floor plate.

If an ash lip is installed the the hearth must have an extension of 225 mm in front of the stove.

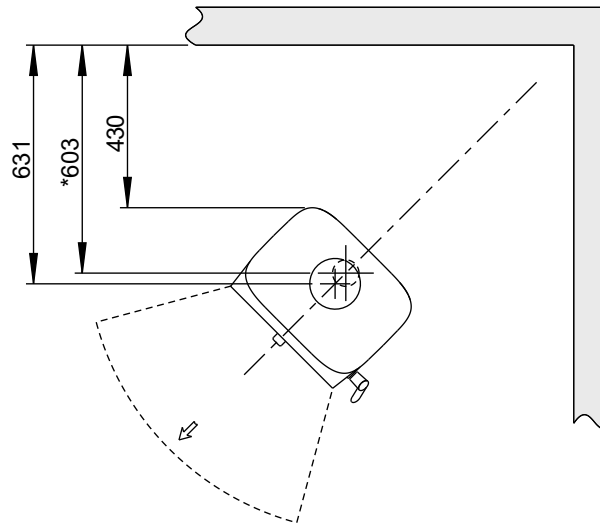
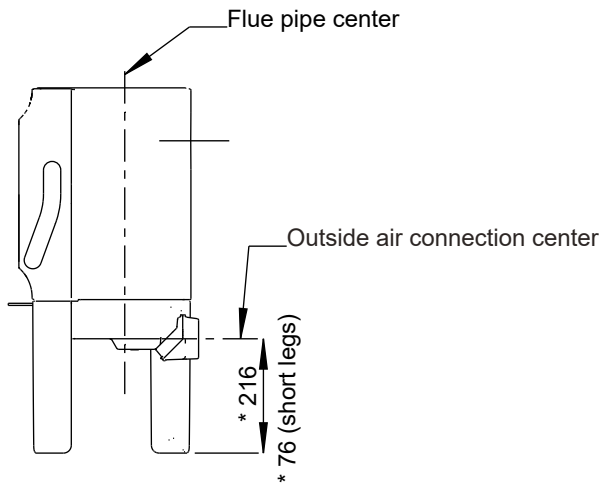
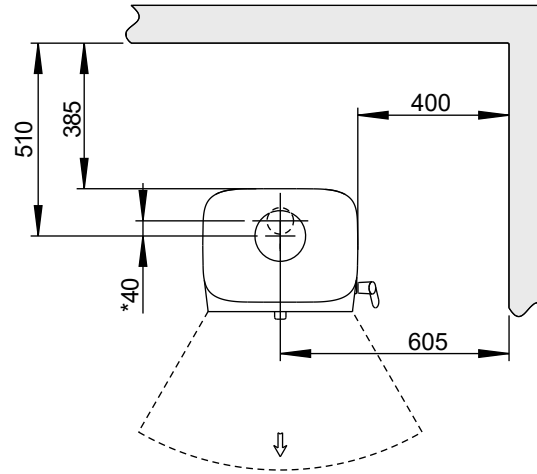
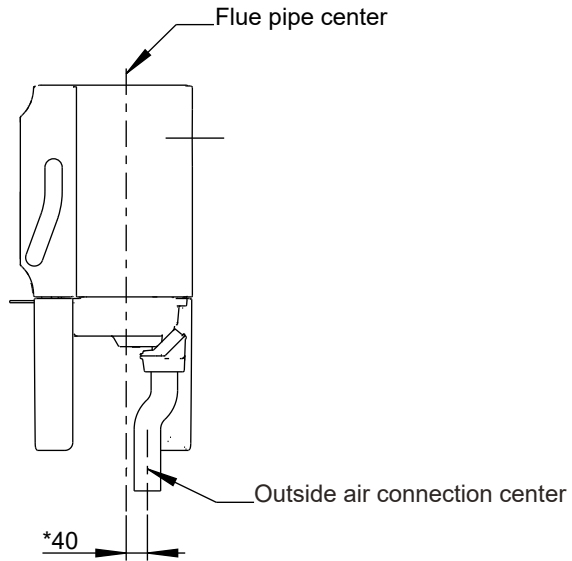
For further information please see Approved Document J2010 Section 2.22.

\* Outside air connection

Fig. 1 b

Jøtul F 105 R Min. distance to combustible wall

Combustible wall



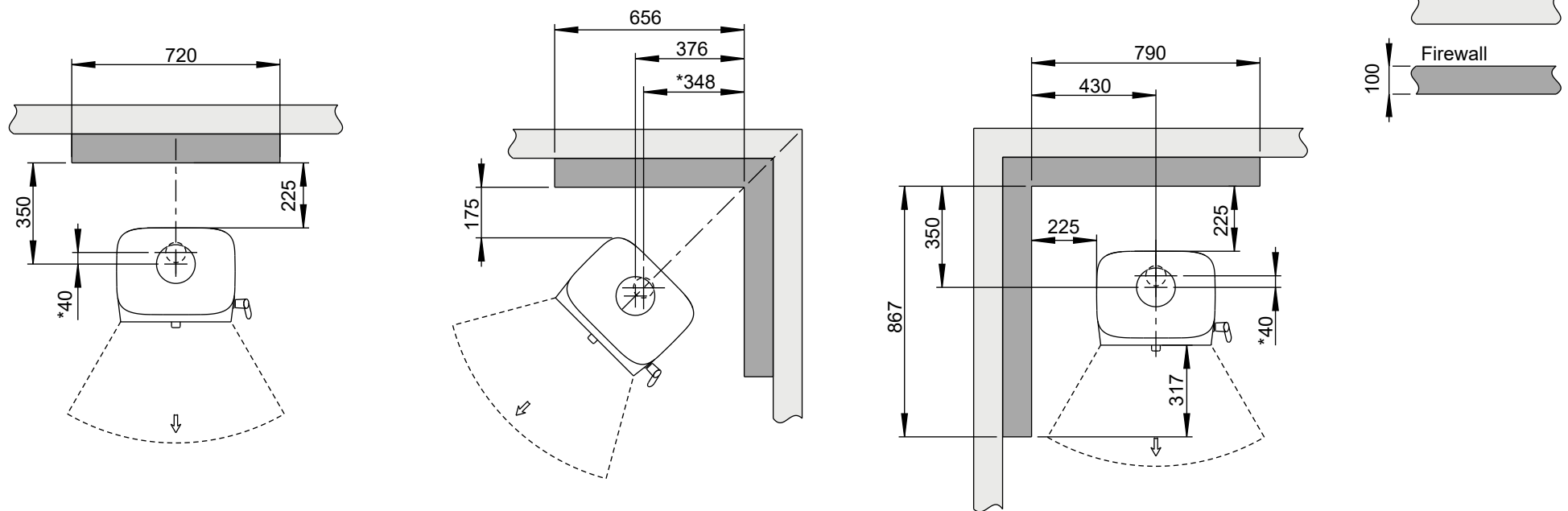
\* Outside air connection

\*\*\* Distance to combustible wall with semi-insulated / shielded flue pipe (min.30 mm insulation)

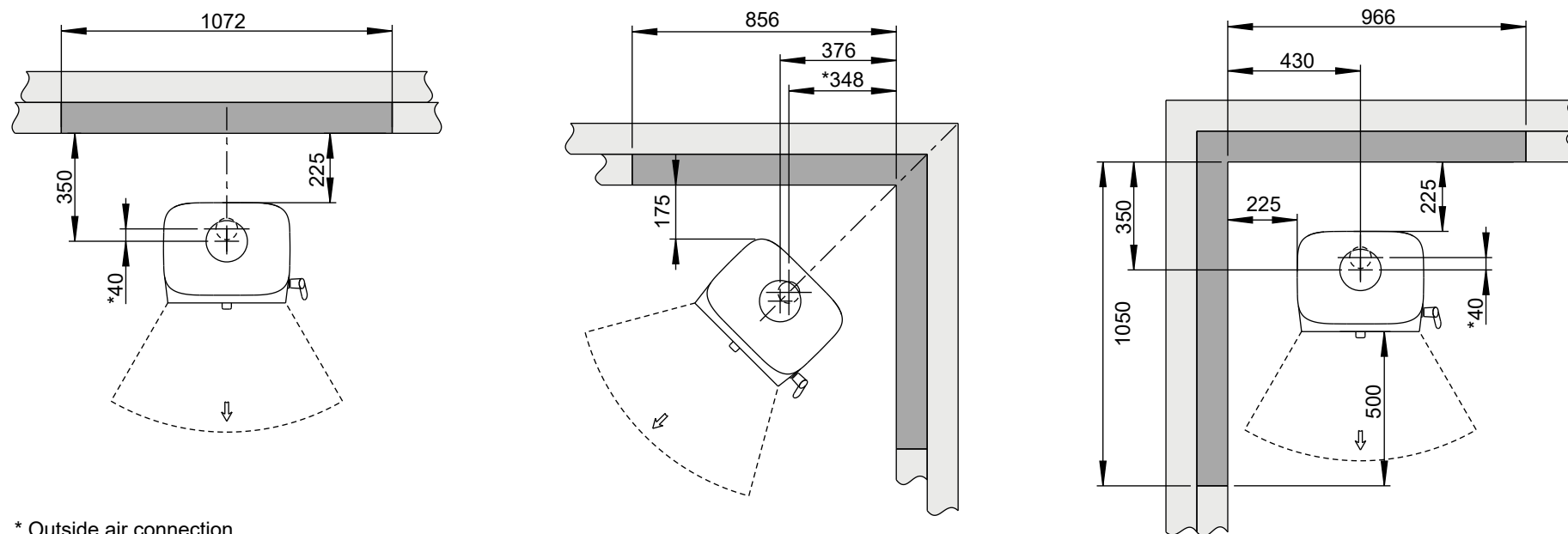
Fig. 1 c

Jøtul F 105 R Min. distance to combustibile wall protected by firewall

External



Integrated



\* Outside air connection

Fig. 1 d

Jøtul F 105

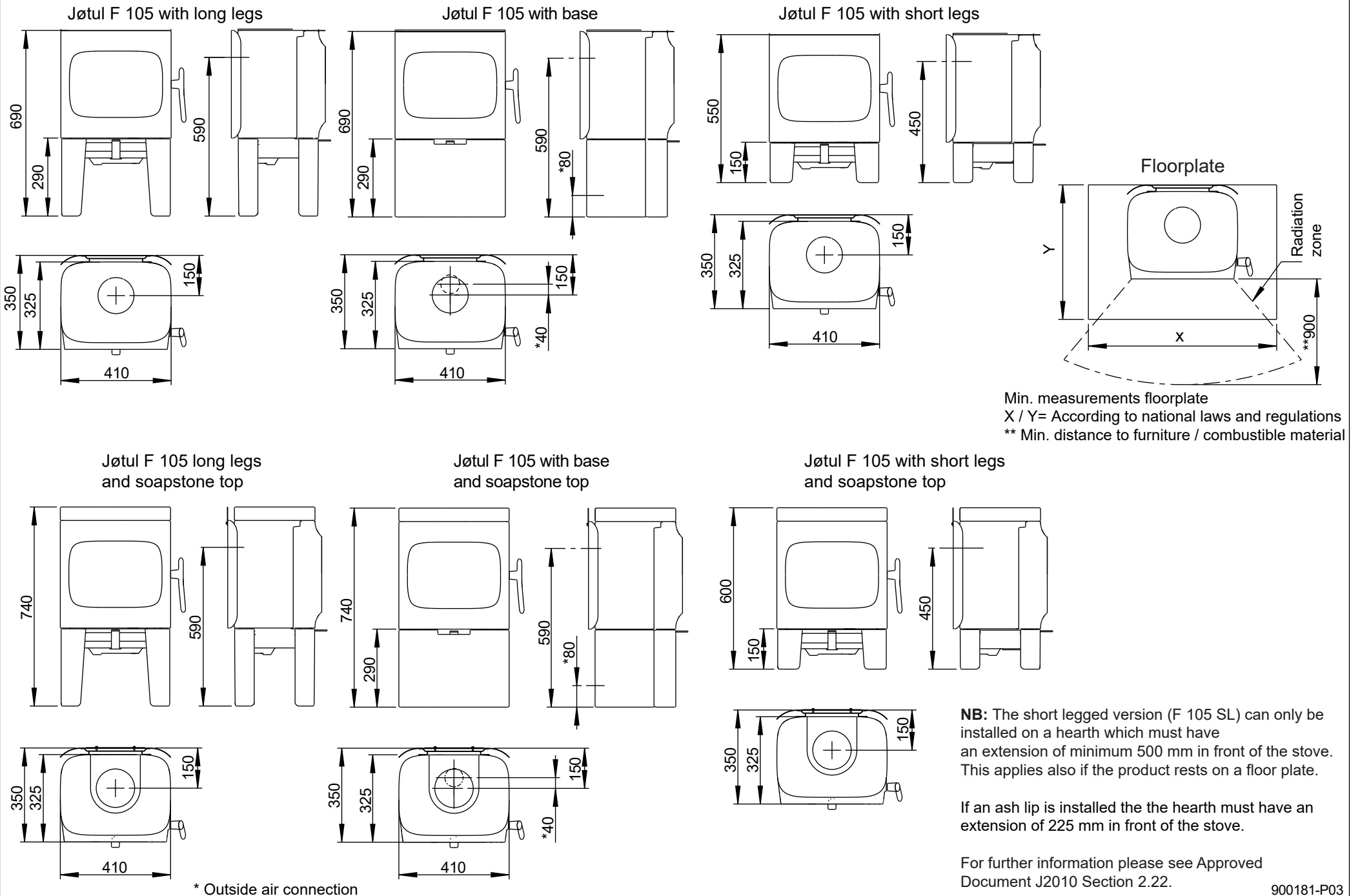
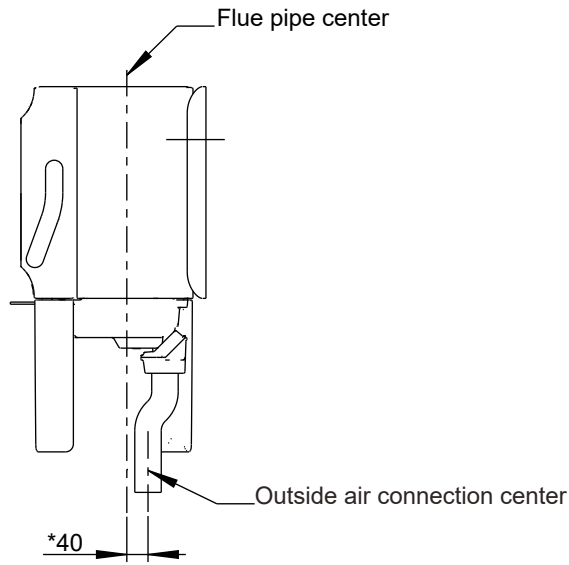


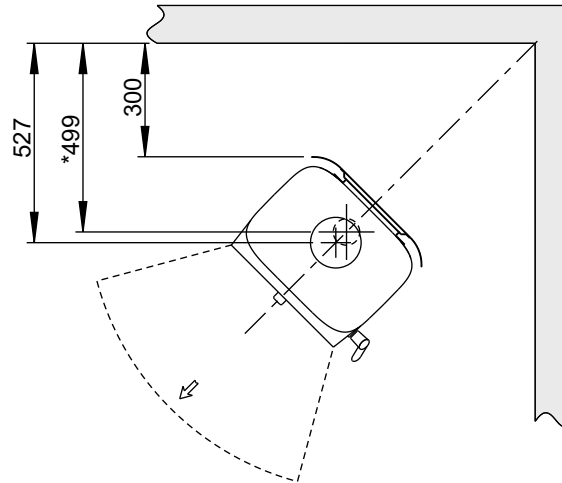
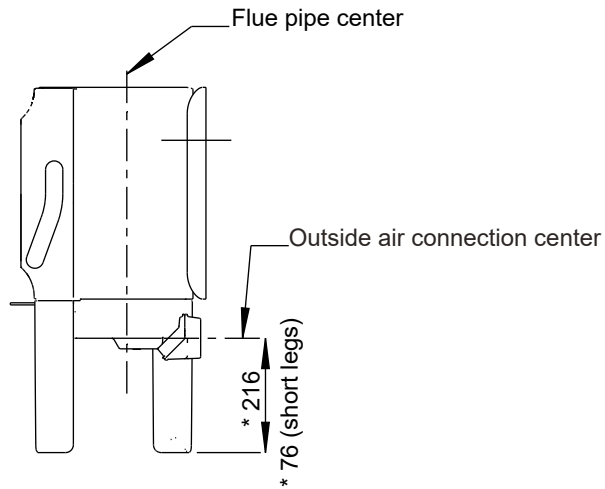
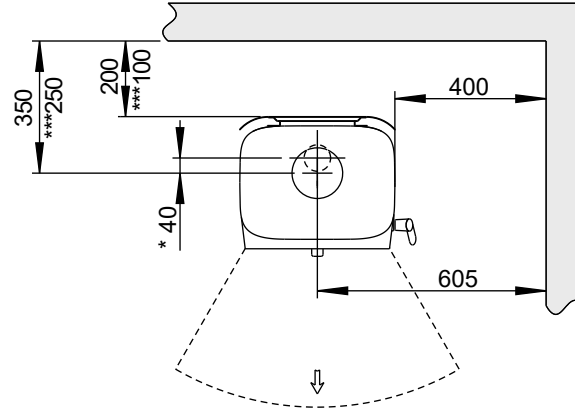
Fig. 1 e

Jøtul F 105 Min. distance to combustible wall

Combustible wall



Med standard konveksjonsplate



\* Outside air connection

\*\*\* Distance to combustible wall with semi-insulated / shielded flue pipe (min.30 mm insulation)

Fig. 1 f

Jøtul F 105 Min. distance to combustibile wall protected by firewall

